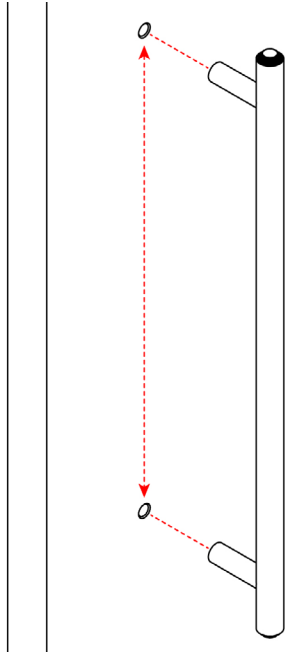
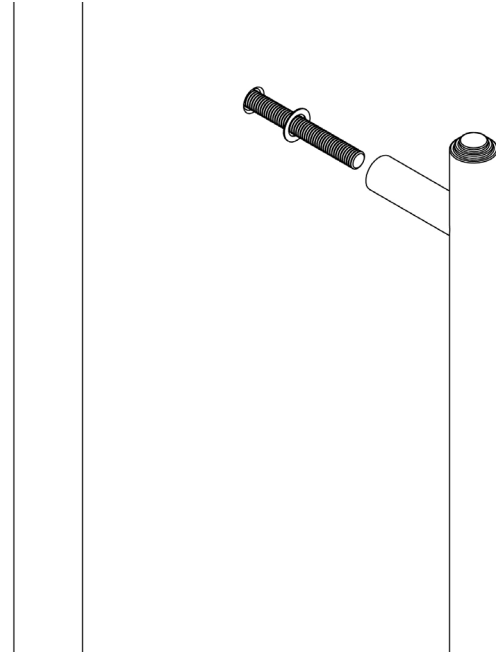


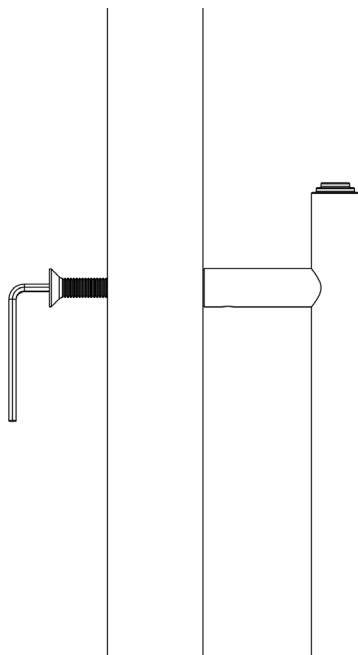
BURLINGTON PULL HANDLES - BOLT THROUGH



1. Drill holes to the appropriate size, in the position required and counter sink.



2. Fit the bolts through the fixing holes and place the washer on the door side where the pull handle will be fitted.



3. Present the pull handle up to the bolts and tighten. Ensure the plastic washer is in the correct position.

Note: In some cases the bolts may need to be cut to size.

When you have checked the bolts are the correct length, tighten fully using the allen key provided.